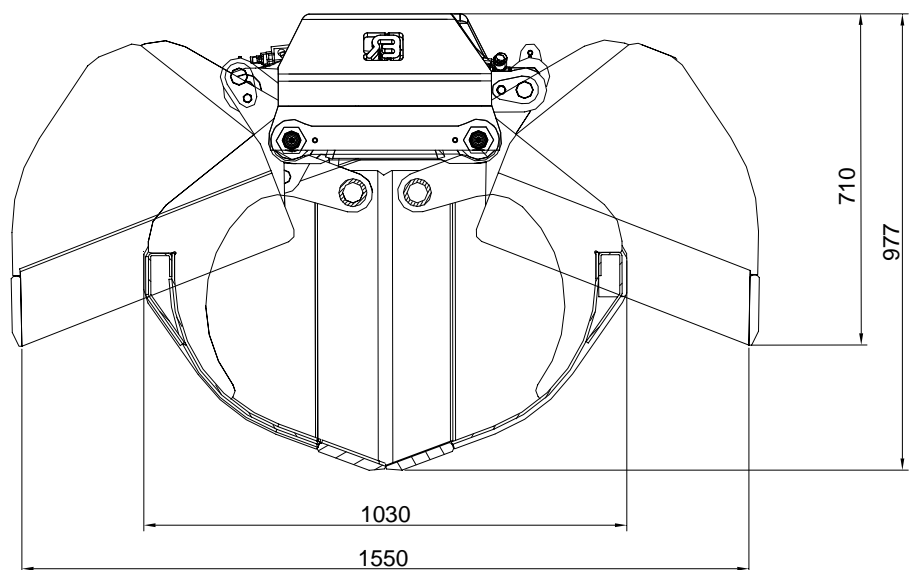
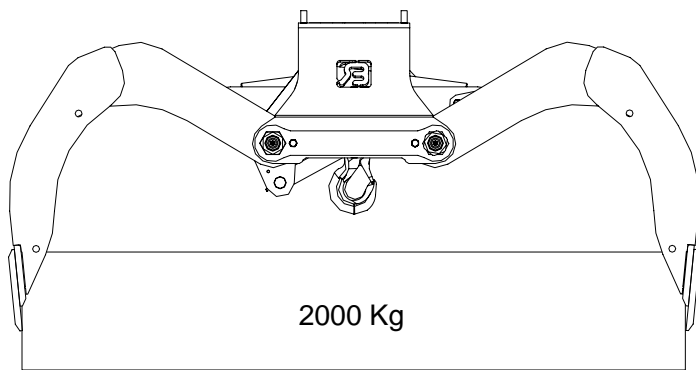




BDVEDZ Grab bucket

TECHNICAL DATA:

- Grab type : **BDVEDZ**
- Width : 80cm 90 cm 100 cm
- Capacity : 355 Ltr 400 Ltr 445 Ltr
- Weight : 450 kg 465 kg 475 kg
- Max. working pressure : **200 Bar**
- Press strength : **30 kN.**
- Max. hoisting load :

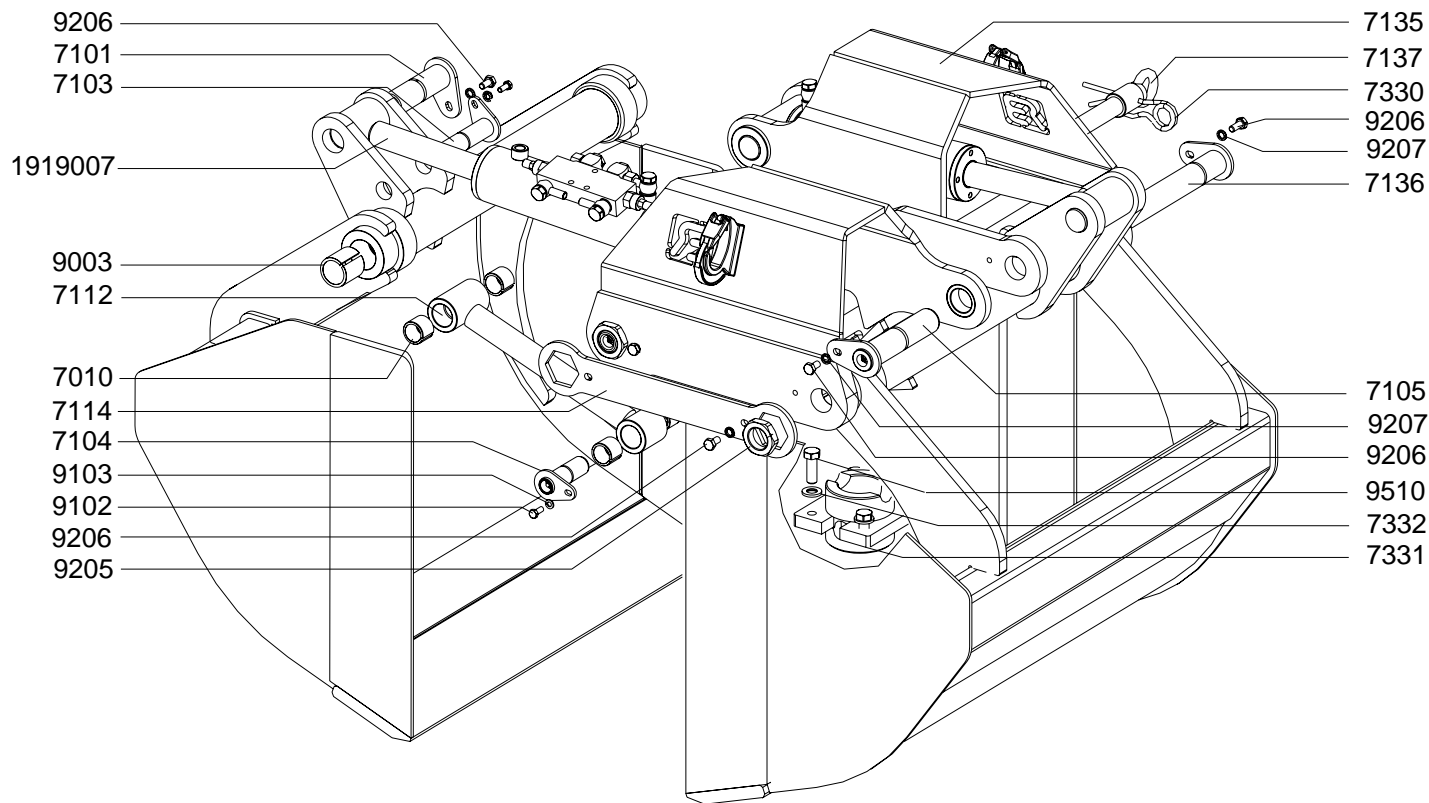


Maximum oil flow in non-return valve: **80 ltr./min.**

BAKKER HYDRAULIC b.v.
 Nijverheidsweg 6 6662 NG Elst
 The Netherlands
 Tel: + 31-481-374757
 Fax: + 31-481-375280



BDVEDZ



PART NO	QUANTITY	SPECIFICATION
---------	----------	---------------

BDVEDZ-7010	4	SPLIT BUSH
BDVEDZ-7101	2	SHAFT
BDVEDZ-7103	1	PIN
BDVEDZ-7104	1	PIN
BDVEDZ-7105	2	SHAFT
BDVEDZ-7112	1	STEADY LINK
BDVEDZ-7114	1	LOCKING SPANNER
BDVEDZ-7135	1	SADDLE PLATE
BDVEDZ-7136	2	SHAFT
BDVEDZ-7137	1	SUSPENSION PIN
BDVEDZ-7330	1	HAIRPIN SPRING
BDVEDZ-7331	1	SUSPENSION PLATE
BDVEDZ-7332	4	SCHEIBE
BDVEDZ-9003	4	SPLIT BUSH
BDVEDZ-9102	2	BOLT
BDVEDZ-9103	2	WASHER
BDVEDZ-9205	2	NUT
BDVEDZ-9206	8	BOLT
BDVEDZ-9207	8	SPRING WASHER
BDVEDZ-9510	4	BOLZEN
BDVEDZ-1919007	2	CYLINDER