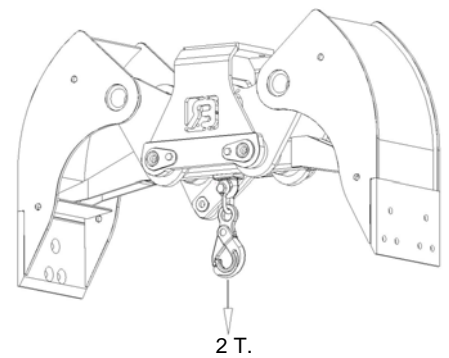
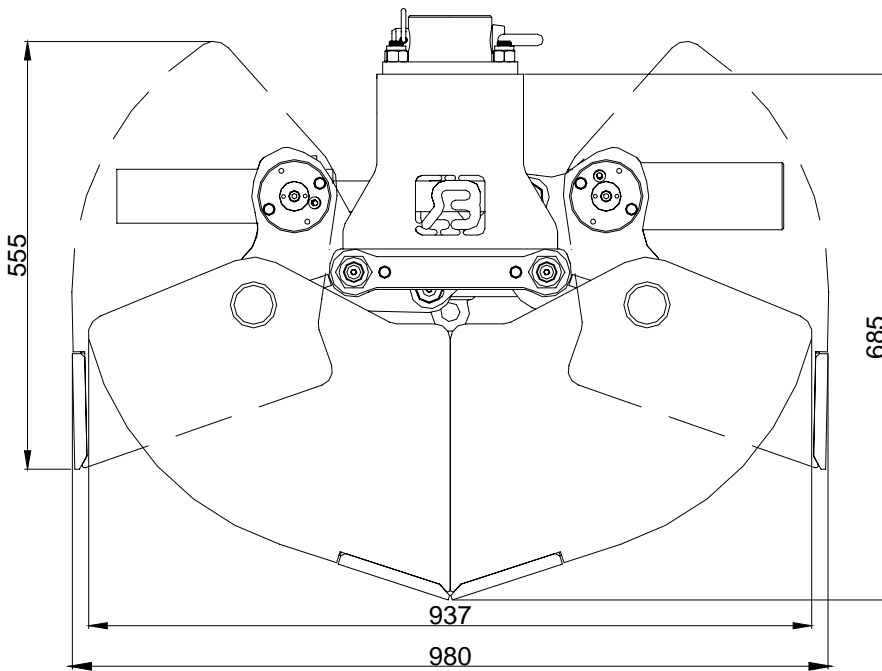




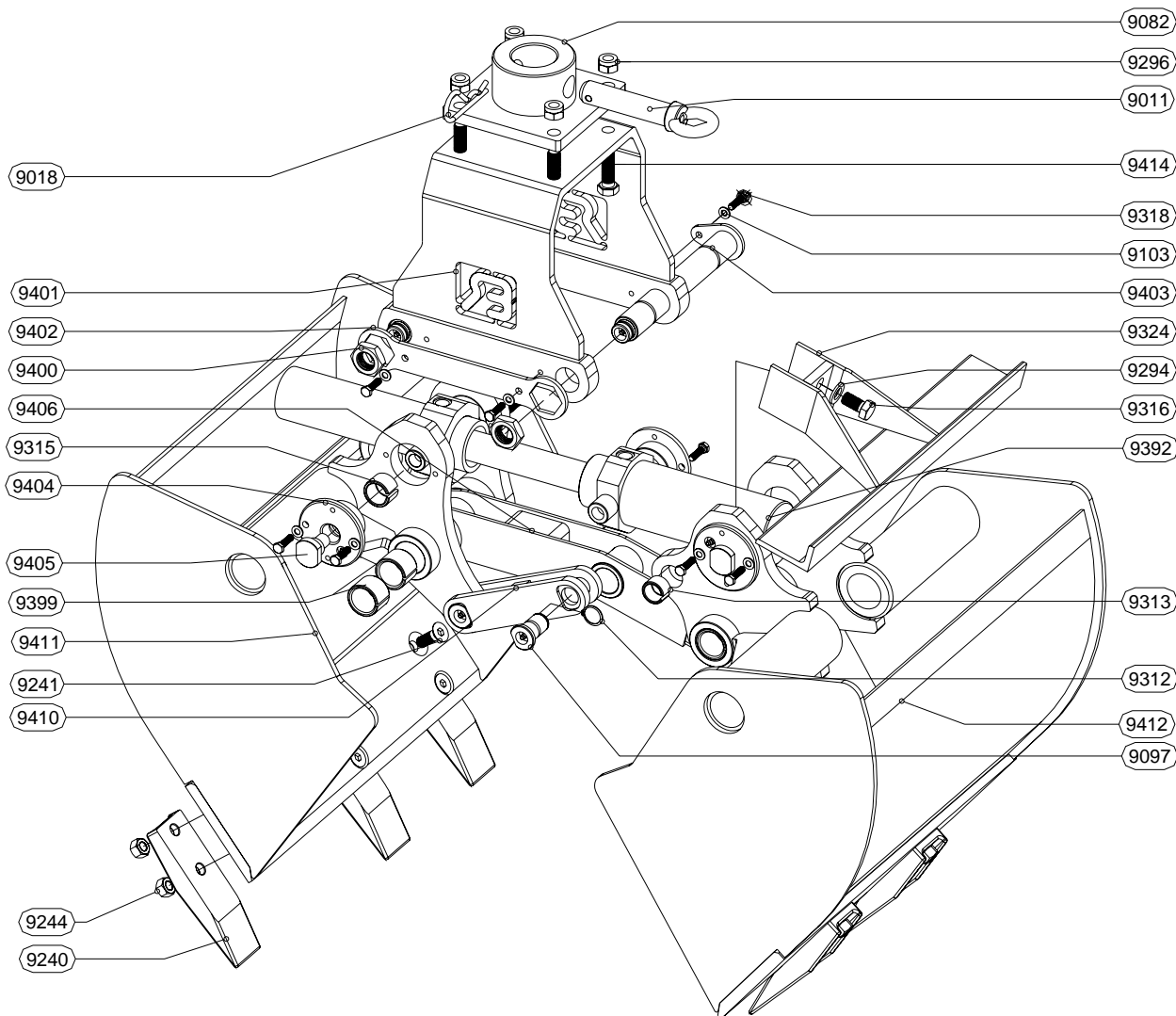
**TECHNICAL DATA:**

- Grab type : **HBC**
- Width :  30 cm       50 cm  
           40 cm       60 cm
- Capacity :  85 L       145 L  
             115 L       175 L
- Weight :  135 kg       159 kg  
           147 kg       170 kg
- Max. working pressure : **200 Bar**
- Press strength : **36 kN.**
- Max. hoisting load : **2 T**





## HBC Grab



## SPARE PARTS

| PART N°  | QUANTITY  | SPECIFICATION   |
|----------|-----------|-----------------|
| HBC-9011 | 1         | CONNECTOR PIN   |
| HBC-9018 | 1         | HAIRPIN SPRING  |
| HBC-9082 | 1         | CONNECTOR PLATE |
| HBC-9097 | 2         | PIN             |
| HBC-9103 | 12        | SPRING WASHER   |
| HBC-9240 | see chart | TOOTH           |
| HBC-9241 | see chart | BOLT            |
| HBC-9244 | see chart | NUT             |
| HBC-9294 | 4         | SPRING WASHER   |
| HBC-9296 | 4         | NUT             |
| HBC-9312 | 2         | CIRCLIP Ø 25 MM |
| HBC-9313 | 2         | SPLIT BUSH      |
| HBC-9315 | 4         | SPLIT BUSH      |
| HBC-9316 | 4         | BOLT            |
| HBC-9318 | 12        | BOLT            |
| HBC-9324 | 2         | EJECTOR         |
| HBC-9392 | 1         | CYLINDER        |
| HBC-9399 | 4         | SPLIT BUSH      |
| HBC-9400 | 2         | NUT             |
| HBC-9401 | 1         | SADDLE PLATE    |
| HBC-9402 | 1         | LOCKING SPANNER |
| HBC-9403 | 2         | SHAFT           |
| HBC-9404 | 4         | FLANGED BUSH    |
| HBC-9405 | 4         | SECURING BOLT   |
| HBC-9406 | 1         | BASE OF EJECTOR |
| HBC-9410 | 1         | STEADY LINK     |
| HBC-9411 | 1         | SIDE PANEL A    |
| HBC-9412 | 1         | SIDE PANEL B    |
| HBC-9414 | 4         | BOLT            |

| Grab type            | HBC 30 | HBC 40 | HBC 50 | HBC 60 |
|----------------------|--------|--------|--------|--------|
| Number HBC 9241/9244 | 6      | 10     | 10     | 10     |
| Number HBC 9240      | 3      | 5      | 5      | 5      |