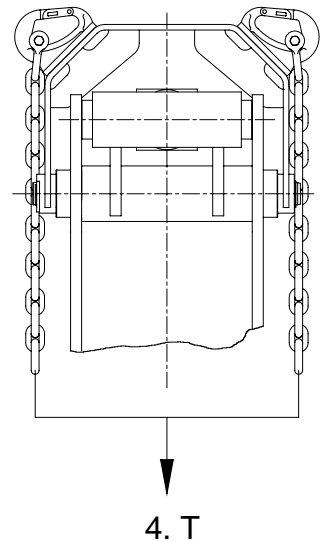
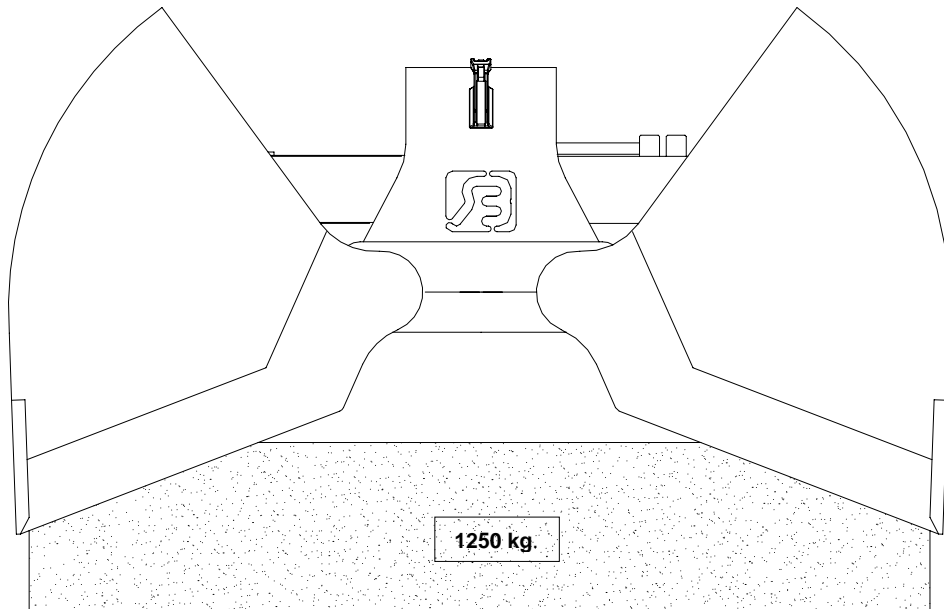




KBT

TECHNICAL DATA:

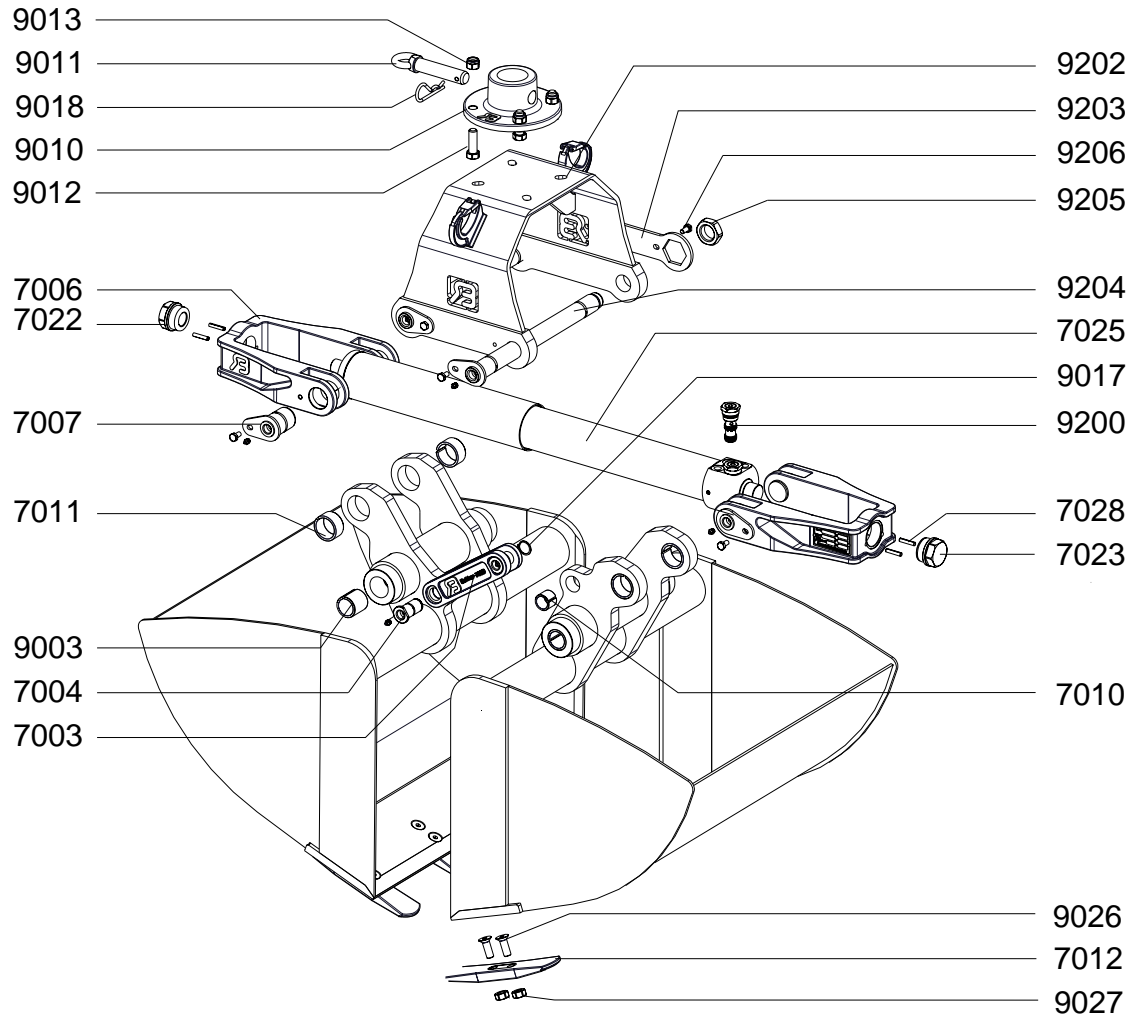
Grab type	:	KBT		
Width	:	<input type="checkbox"/> 55 cm	<input type="checkbox"/> 80 cm	<input type="checkbox"/> 100 cm
		<input type="checkbox"/> 65 cm	<input type="checkbox"/> 90 cm	<input type="checkbox"/> 120 cm
Capacity	:	<input type="checkbox"/> 300 L	<input type="checkbox"/> 430 L	<input type="checkbox"/> 540 L
		<input type="checkbox"/> 350 L	<input type="checkbox"/> 490 L	<input type="checkbox"/> 650 L
Weight	:	<input type="checkbox"/> 345 kg	<input type="checkbox"/> 380 kg	<input type="checkbox"/> 420 kg
		<input type="checkbox"/> 360 kg	<input type="checkbox"/> 405 kg	<input type="checkbox"/> 455 kg
Max. working pressure	:	250 Bar		
Press strength	:	25kN.		
Max. hoisting load	:	1.25 Ton *		
Maximum oil flow in non-return valve: 80 L/min.				





KBT 55-65-80

SPARE PARTS



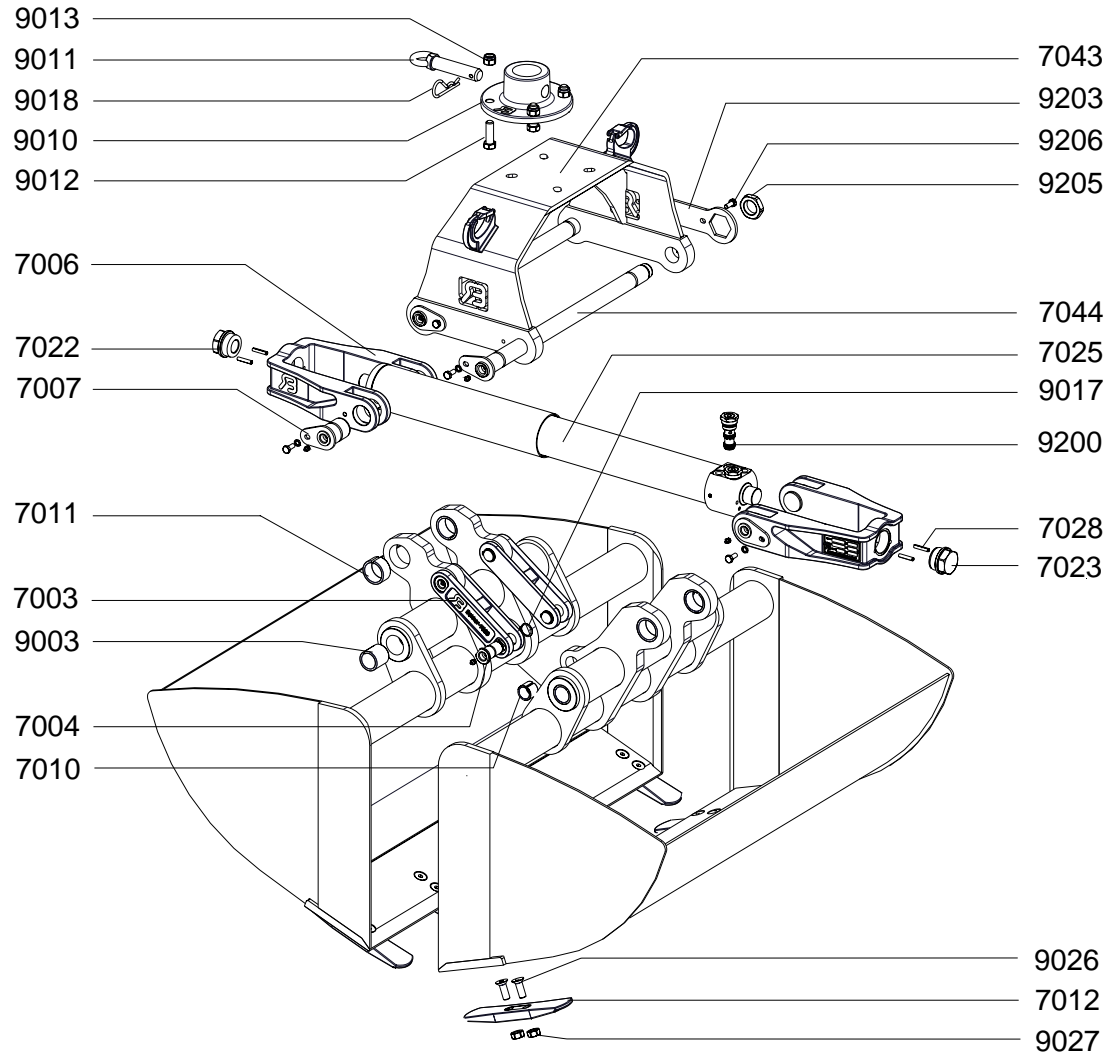
PART NR	QUANTITY	SPECIFICATION
---------	----------	---------------

KBT-7003	1	STEADY LINK
KBT-7004	2	PIN
KBT-7006	2	YOKE
KBT-7007	4	PIN
KBT-7010	2	SPLIT BUSH
KBT-7011	4	SPLIT BUSH
KBT-7012	see chart	TOOTH
KBT-7022	1	NUT
KBT-7023	1	NUT
KBT-7025	1	CYLINDER
KBT-7028	2	ROLL PIN
KBT-9003	4	SPLIT BUSH
KBT-9010	1	SUSPENSION PLATE
KBT-9011	1	SUSPENSION PIN
KBT-9012	4	BOLT
KBT-9013	4	NUT
KBT-9017	2	CIRCLIP Ø 30 MM
KBT-9018	1	HAIRPIN SPRING
KBT-9026	see chart	BOLT
KBT-9027	see chart	NUT
KBT-9200	2	NON RETURN VALVE
KBT-9202	1	SADDLE PLATE
KBT-9203	1	LOCKING SPANNER
KBT-9204	2	SHAFT
KBT-9205	2	NUT
KBT-9206	4	BOLT

Grab type	KBT 55	KBT 65	KBT 80
Number KBT-9026-9027	10	10	14
Number KBT-7012	5	5	7



KBT 90-100-120



SPARE PARTS

PART NR	QUANTITY	SPECIFICATION
KBT-7003	2	STEADY LINK
KBT-7004	4	PIN
KBT-7006	2	YOKE
KBT-7007	4	PIN
KBT-7010	4	SPLIT BUSH
KBT-7011	4	SPLIT BUSH
KBT-7012	see chart	TOOTH
KBT-7022	1	NUT
KBT-7023	1	NUT
KBT-7025	1	CYLINDER
KBT-7028	2	ROLL PIN
KBT-7043	1	SADDLE PLATE
KBT-7044	2	PIN
KBT-9003	4	SPLIT BUSH
KBT-9010	1	SUSPENSION PLATE
KBT-9011	1	SUSPENSION PIN
KBT-9012	4	BOLT
KBT-9013	4	NUT
KBT-9017	4	CIRCLIP Ø 30 MM
KBT-9018	1	HAIRPIN SPRING
KBT-9026	see chart	BOLT
KBT-9027	see chart	NUT
KBT-9200	2	NON RETURN VALVE
KBT-9203	1	LOCKING SPANNER
KBT-9205	2	NUT
KBT-9206	4	BOLT

Grab type	KBT 90	KBT 100	KBT 120
Number KBT-9026-9027	14	14	14
Number KBT-7012	7	7	7