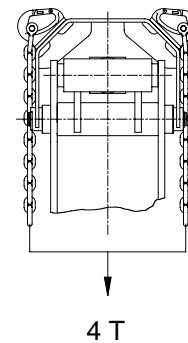
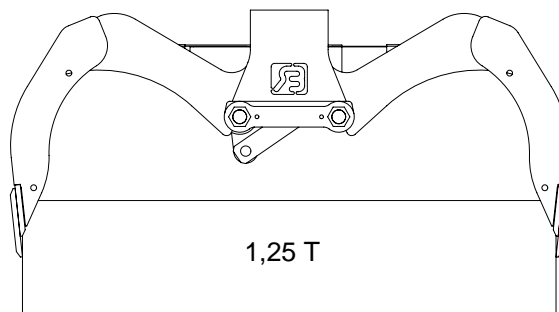




## RBO grab

### TECHNICAL DATA:

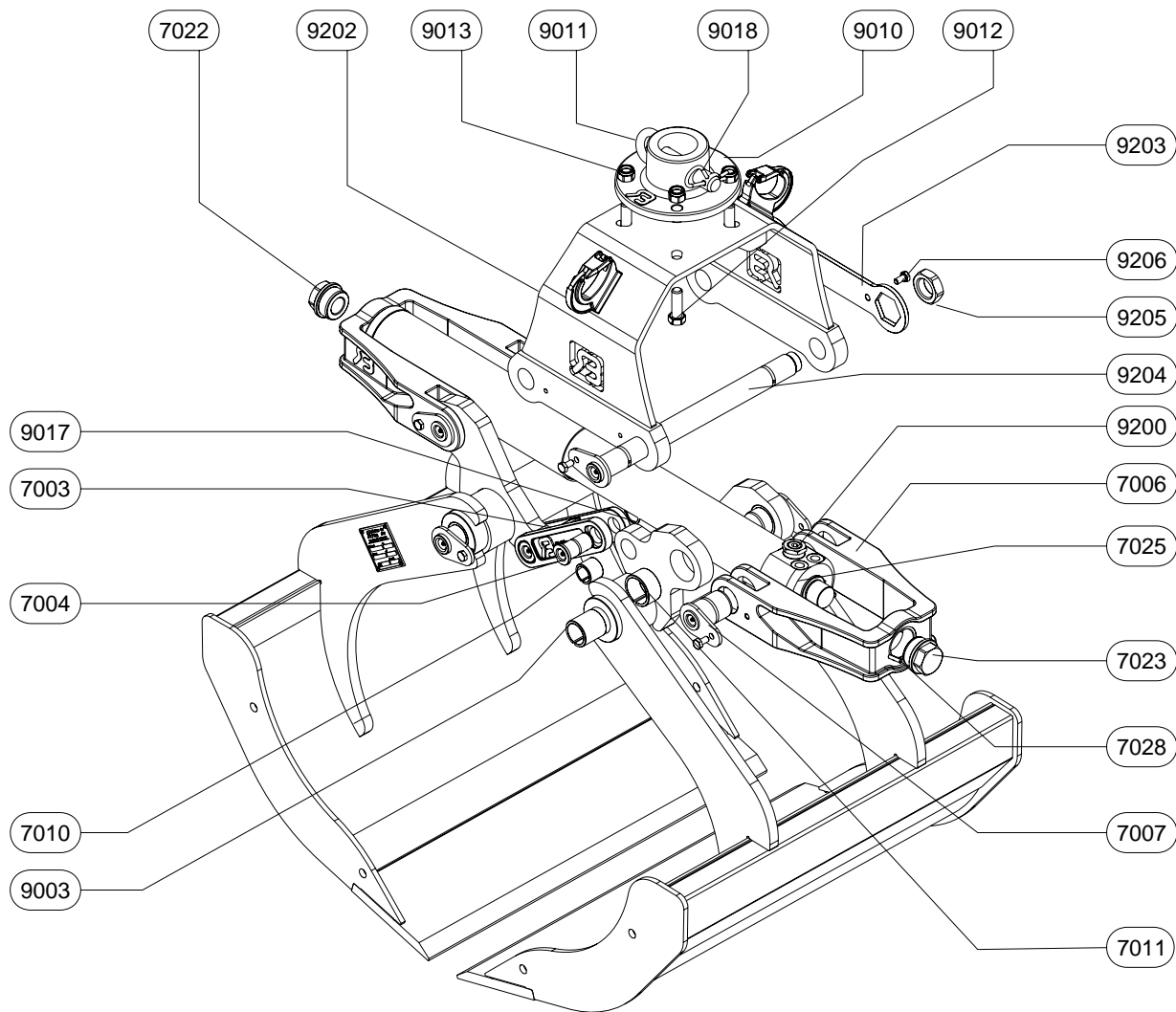
Grab type	:	<b>RBO</b>		
Width	:	<input type="checkbox"/> 60 cm	<input type="checkbox"/> 80 cm	<input type="checkbox"/> 100 cm
		<input type="checkbox"/> 70 cm	<input type="checkbox"/> 90 cm	<input type="checkbox"/> 120 cm
Capacity	:	<input type="checkbox"/> 250 L	<input type="checkbox"/> 400 L	<input type="checkbox"/> 500 L
		<input type="checkbox"/> 300 L	<input type="checkbox"/> 450 L	<input type="checkbox"/> 600 L
Weight	:	<input type="checkbox"/> 270 kg	<input type="checkbox"/> 305 kg	<input type="checkbox"/> 340 kg
		<input type="checkbox"/> 300 kg	<input type="checkbox"/> 320 kg	<input type="checkbox"/> 375 kg
Max. working pressure	:	<b>250 Bar</b>		
Press strength	:	<b>20 kN.</b>		
Max. hoisting load	:			



Maximum oil flow in non-return valve: **80 L/min.**



## RBO 60-70-80 cm



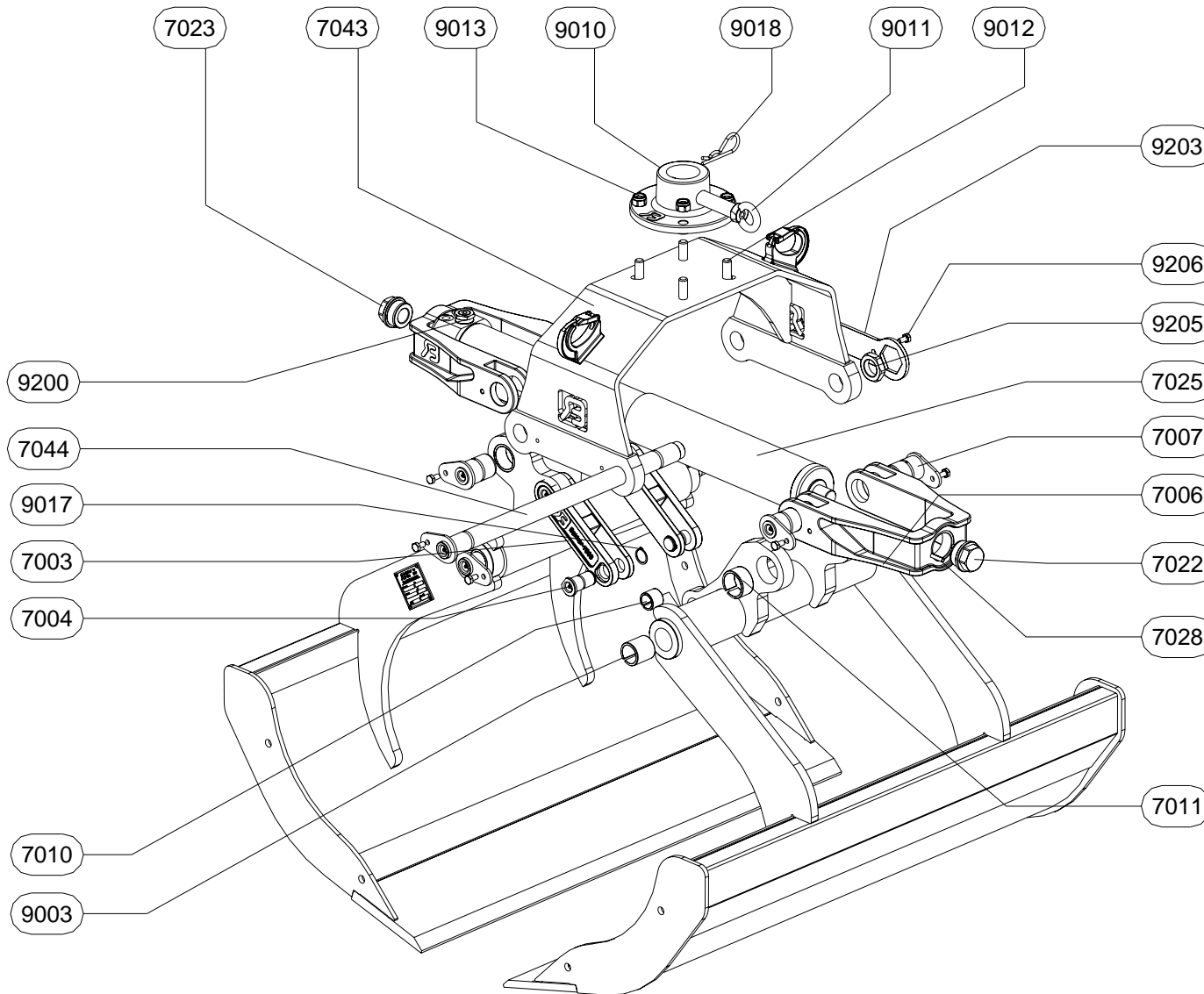
## SPARE PARTS

PART NO	QUANTITY	SPECIFICATION
RBO-7003	1	STEADY LINK
RBO-7004	2	PIN
RBO-7006	2	YOKE
RBO-7007	4	PIN
RBO-7010	2	SPLIT BUSH
RBO-7011	4	SPLIT BUSH
RBO-7022	1	NUT
RBO-7023	1	NUT
RBO-7025	1	CYLINDER
RBO-7028	2	ROLL PIN
RBO-9003	4	SPLIT BUSH
RBO-9010	1	CONNECTOR PLATE
RBO-9011	1	CONNECTOR PIN
RBO-9012	4	BOLT
RBO-9013	4	NUT
RBO-9017	2	CIRCLIP
RBO-9018	1	HAIRPIN SPRING
RBO-9200	2	NON RETURN VALVE
RBO-9202	1	SADDLE PLATE
RBO-9203	1	LOCKING SPANNER
RBO-9204	2	SHAFT
RBO-9205	2	NUT
RBO-9206	4	BOLT



## RBO 90-100-120 cm

### SPARE PARTS



PART NO	QUANTITY	SPECIFICATION
RBO-7003	2	STEADY LINK
RBO-7004	4	PIN
RBO-7006	2	YOKE
RBO-7007	4	PIN
RBO-7010	4	SPLIT BUSH
RBO-7011	4	SPLIT BUSH
RBO-7022	1	NUT
RBO-7023	1	NUT
RBO-7025	1	CYLINDER
RBO-7028	2	ROLL PIN
RBO-7043	1	SADDLE PLATE
RBO-7044	2	SHAFT
RBO-9003	4	SPLIT BUSH
RBO-9010	1	CONNECTOR PLATE
RBO-9011	1	CONNECTOR PIN
RBO-9012	4	BOLT
RBO-9013	4	NUT
RBO-9017	4	CIRCLIP
RBO-9018	1	HAIRPIN SPRING
RBO-9200	2	NON RETURN VALVE
RBO-9203	1	LOCKING SPANNER
RBO-9205	2	NUT
RBO-9206	4	BOLT